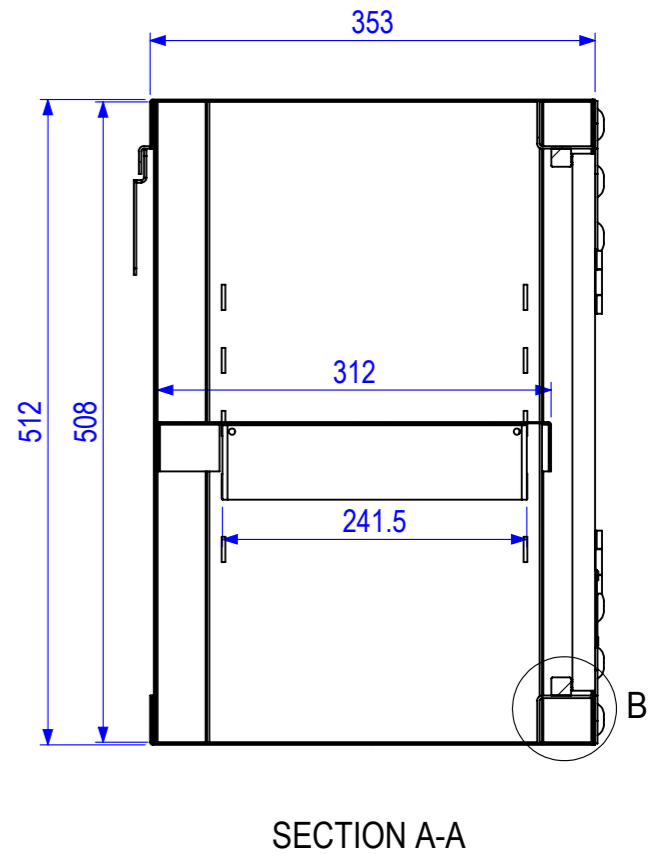
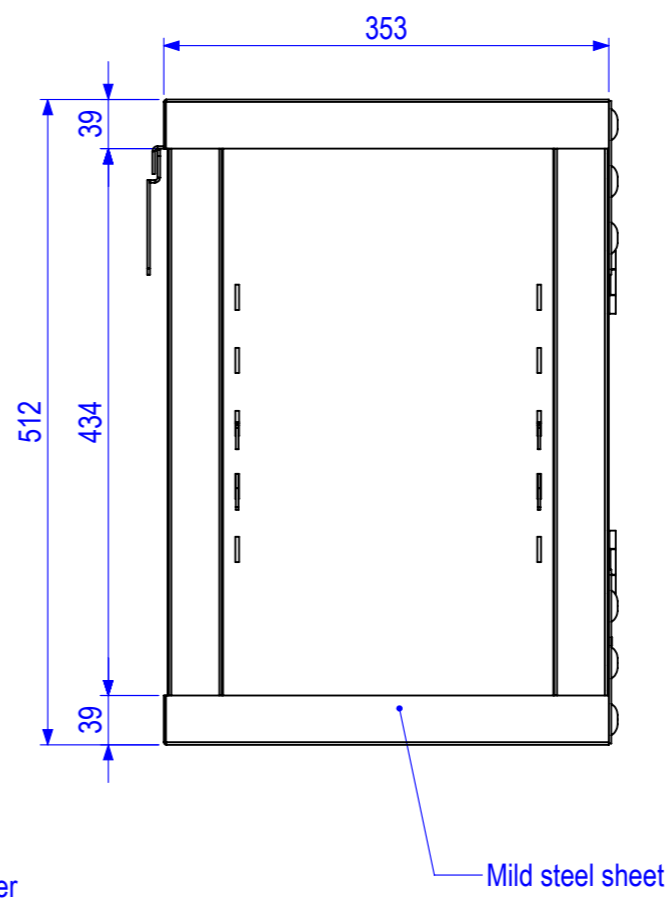
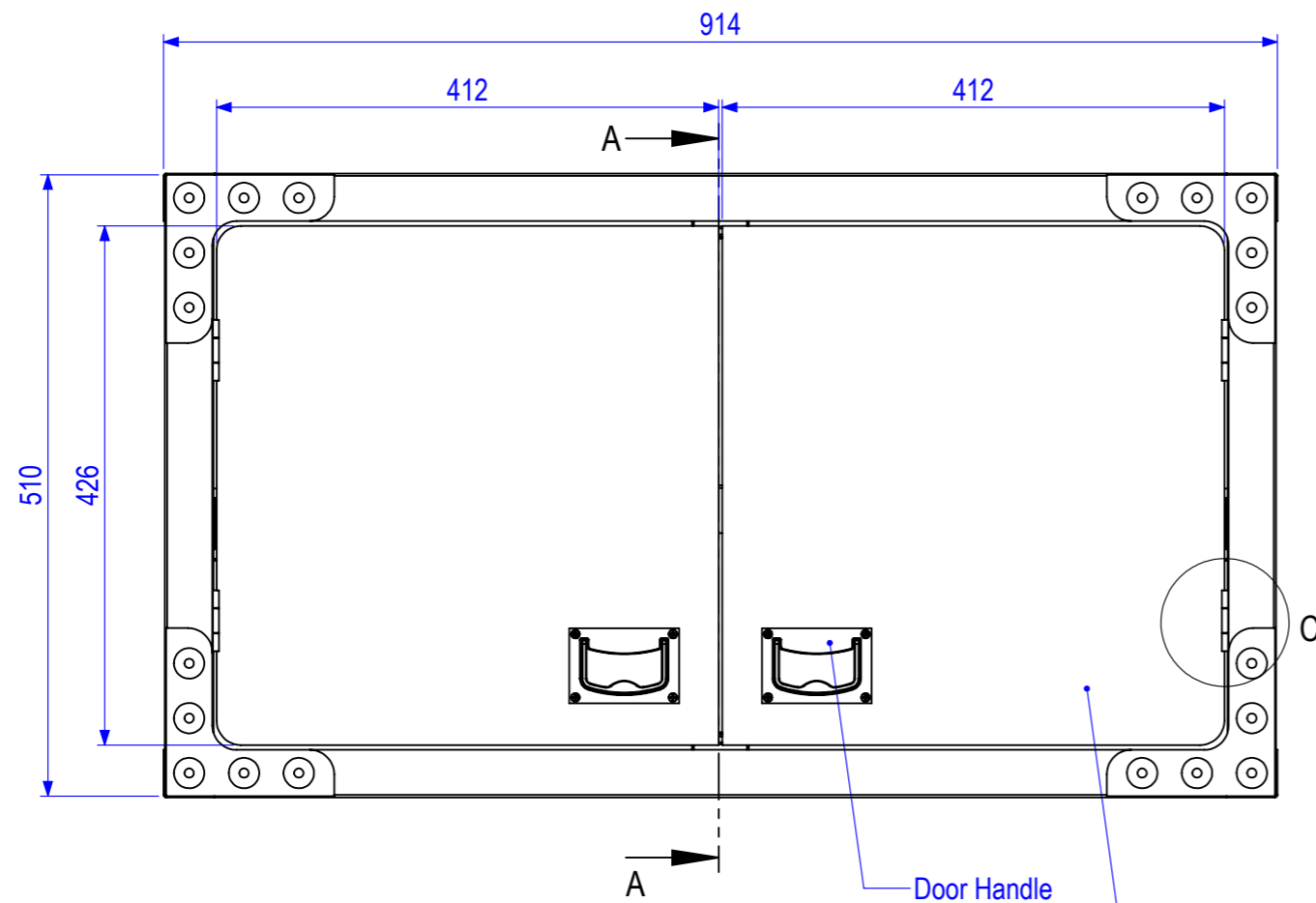
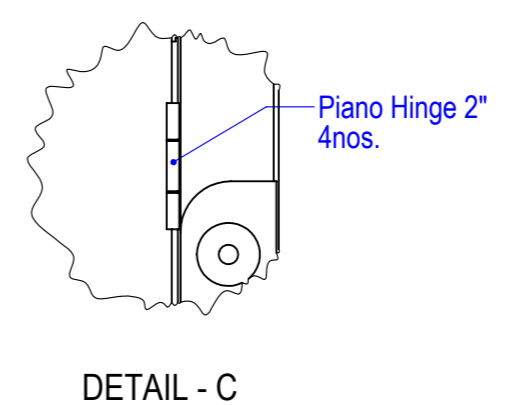
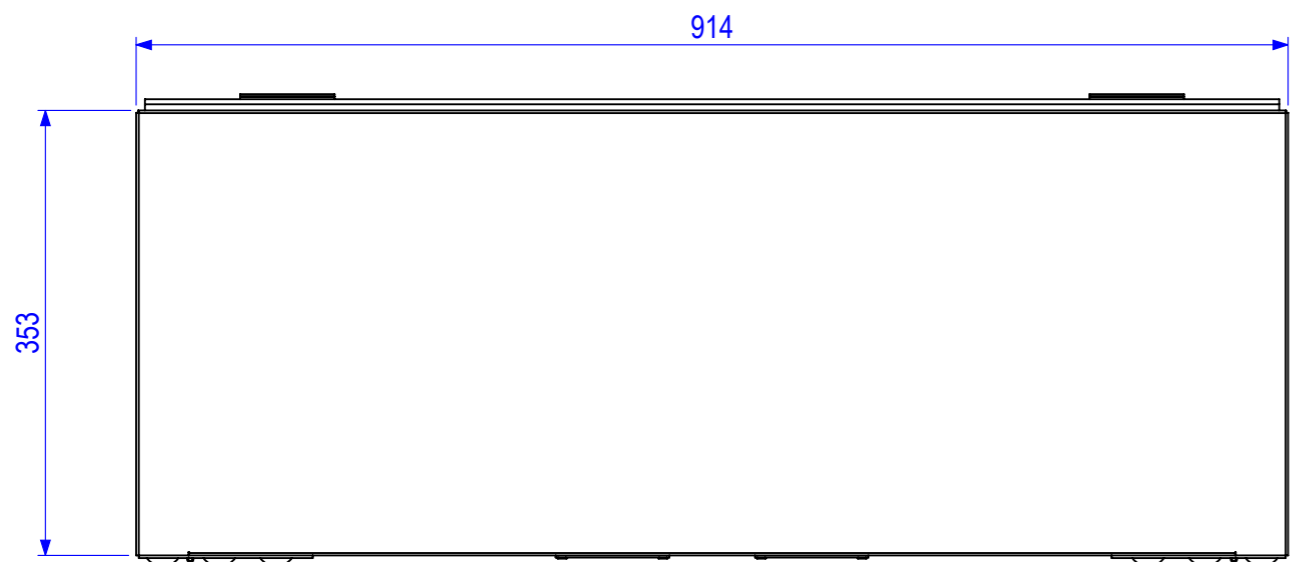


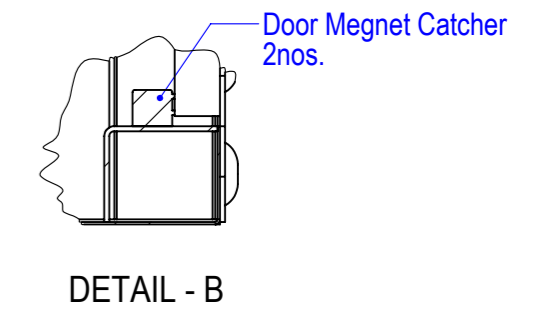
U:\USA Garage Tools\Updated Ind Upright Cabinet\Ind Wall Cabinet v2 18-04-2022



SECTION A-A



DETAIL - C



DETAIL - B

DRAWN	Tahir	SHEET THK.:	-NA-	WEIGHT:	---	S. AREA:	5402291.45mm ²
CHECKED	Harout k	MAT.:	Acacia wood / Metal	FINISH:	Powder coated		
APPROVED	Harout k	TITLE: 36" wide Industrial Wall Cabinet					
DATE	21/04/2022						
DWG. NO.	WC v2-00	PROJECT:	Wall Cabinet	MODEL:	914x353x512		
General Tolerance : ± 0.1 mm				P.O. Box 474039, Jabel Ali, Dubai Investment Park - 1, Dubai (United Arab Emirates) Tel: 04-8841650 Fax: 04-8841934		SHEET 1 OF 10	
COLOUR	Black	Design & Development Department				SCALE	REV.
QUANTITY		ALL DIMENSIONS ARE IN MILLIMETERS AND ALL BEND RADII TO BE MIN. R AT 90° BEND, UNLESS SPECIFIED OTHERWISE THIS DRAWING IS THE PROPERTY OF TSSC, NOT TO BE REPRODUCED AS A PART OR WHOLE WITHOUT PRIOR CONSENT OF TSSC					
						N.T.S.	00